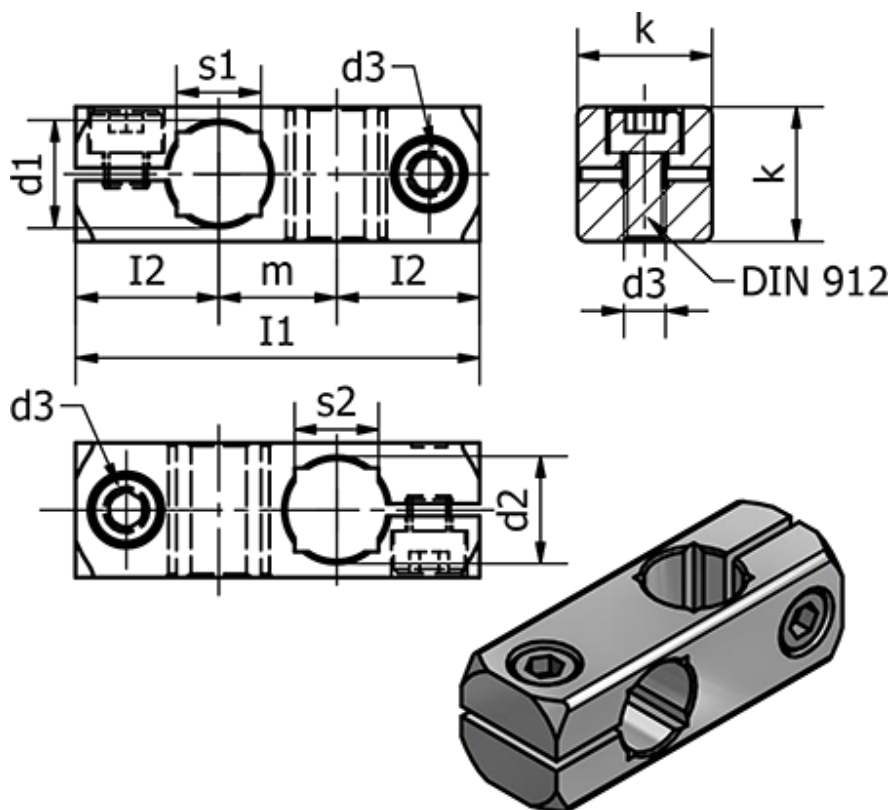


Article number: 20474B16B16ELS

Description: E+G Two-way clamp mounting - GN 474-B16-B16-ELS

Measures



Clamping kit for d3 = GN 511-M6-20

d1 h11 = 16

d2 h11 = 16

d3 = 6

I1 = 59

I2 = 20.5

k = 25

m = 18

s1 = -

s2 = -

Weight (g) = 43